

RB-K - with power transmitter



APPLICATION

For universal use on milling machines and machining centers.

TYPE

Manual clamping system with power transmitter.
Hydraulic actuation on request.

CUSTOMER BENEFITS

- ⊕ Stepped clamping force presetting
- ⊕ High precision thanks to precise jaw guides
- ⊕ Fast clamping range adjustment via bolt system
- ⊕ Optimal coolant and chip drain
- ⊕ High wear-resistance thanks to hardened jaw guides
- ⊕ Use without force amplification possible for sensitive clamping

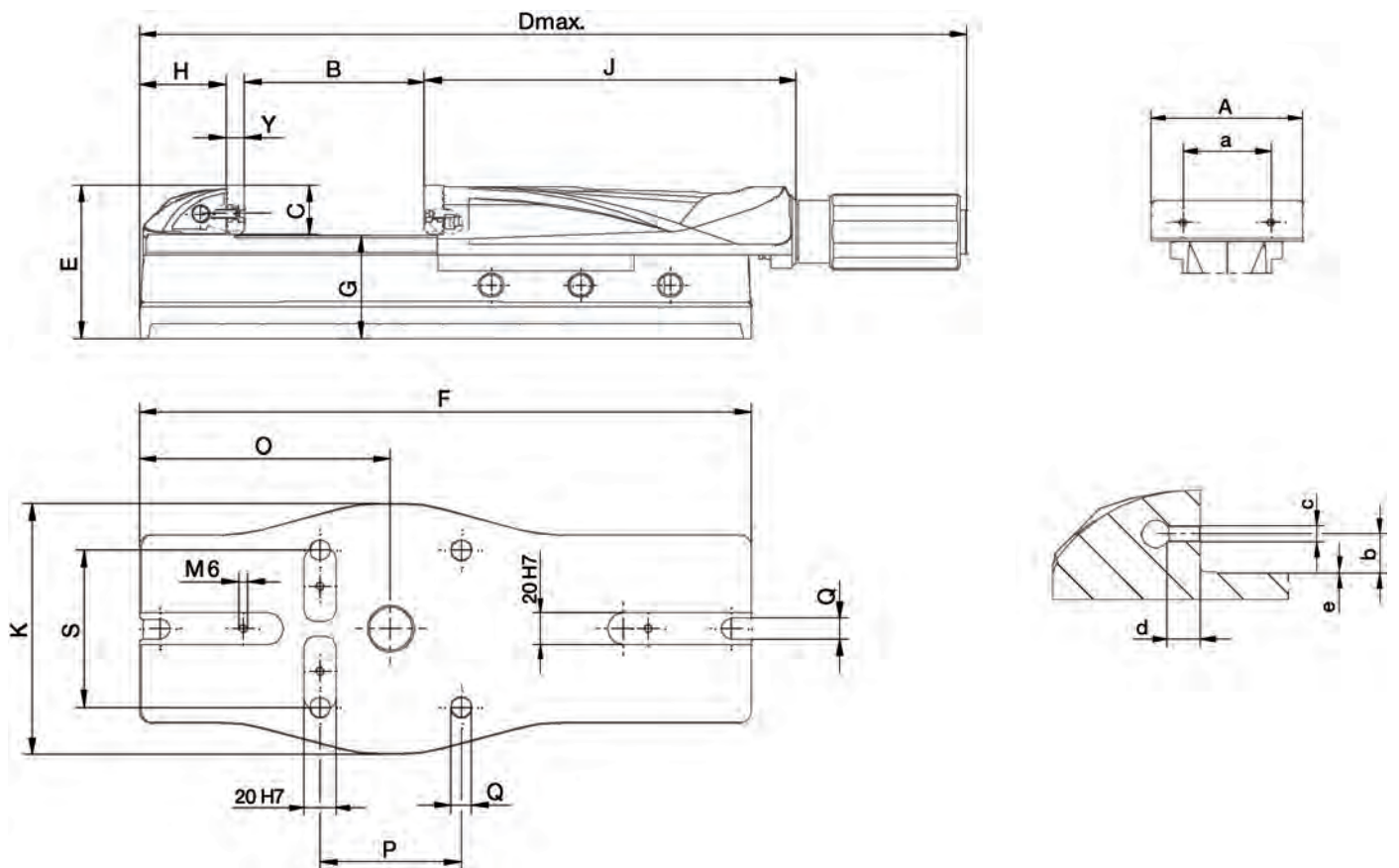
TECHNICAL FEATURES

- Base with longitudinal and transversal groove for exact fixation on the machine table
- Use on rotary plate with graduation
- Set-up option with clamping claws
- Encapsulated spindle

A10
RB-K, with SGN normal jaws and hand crank

Item no.	179075	179076	179077	179078	179079
Size	1	2	3	4	5
Jaw width A mm	92	113	135	160	200
Clamping capacity B mm	100	170	220	310	350
C mm	31,6	31,6	39,6	49,6	66,6
D mm	493	583	679	817	1022
E mm	95	97	112	133	171
F mm	320	390	468	574	685
G±0,02 mm	63	65,5	72,5	83,5	104,5
H mm	54	55	70	80	90
J mm	218	236,5	262	298	375
K mm	160	160	200	240	280
O mm	119	160	180	220	230
P mm	90	90	90	90	160
Q mm	13	13	13	17	21
S mm	100	100	135	180	180
Y mm	12	12	16	16	20
a mm	63	63	80	100	140
b mm	13,6	13,6	15,6	19,6	25
c	M6	M6	M8	M8	M10
d mm	12	12	13	13	16
Clamping force kN	25	30	40	50	100
Weight kg	15,5	24	39	60	112

RB-K - with power transmitter



Accessories RB-K

A37

Draw-down jaws RNG, with two permanent magnets



Item no.	Contents of delivery	Size	Width mm	Height mm
155237 ▲	set	1	92	32
155238	set	2	110	32
155239 ▲	set	3	135	40
155240	set	4	160	50
155241	set	5	200	67

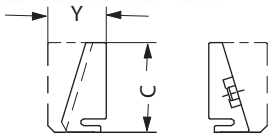
Including fixing screws

A37

Standard insert RNS, held by two permanent magnets



Item no.	Contents of delivery	Size	Width mm	C mm	Y mm
155242 ▲	set	1	92	32	21
155243	set	2	110	32	21
155244 ▲	set	3	135	40	26
155245 ▲	set	4	160	50	30
155246	set	5	200	67	36

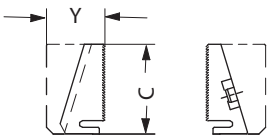


A37

Standard insert finely checkered RNSf, held by two permanent magnets



Item no.	Contents of delivery	Size	Width mm	C mm	Y mm
163270	set	1	92	32	21
163271	set	2	110	32	21
163272	set	3	135	40	26
163273 ▲	set	4	160	50	30
163274	set	5	200	67	36

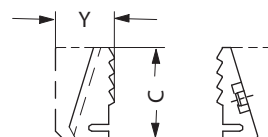


A37

Claw insert RNK, held by two permanent magnets



Item no.	Contents of delivery	Size	Width mm	C mm	Y mm	a mm
155247	set	1	92	32	21	
155248	set	2	110	32	21	
155249	set	3	135	40	26	80
155250 ▲	set	4	160	50	30	
155251	set	5	200	67	36	



Accessories RB-K

A37

Insert with round clamping shoulder RNR, held by two permanent magnets



Item no.	Contents of delivery	Size	Width mm	C mm	Y mm
155252▲	set	1	92	32	21
155253▲	set	2	110	32	21
155254▲	set	3	135	40	26
155255▲	set	4	160	50	30
155256▲	set	5	200	67	36

A37

Draw-down jaws STB, for parallel, angular or flat workpieces, hardened and ground



Item no.	Contents of delivery	Size	Width mm	Height mm
134826▲	set	2	110	32
134830▲	set	3	135	40
134834▲	set	4	160	50
134854▲	set	5	200	67

A37

Floating jaws SRP, hardened and ground, for workpieces with/without angular and parallelism errors



Item no.	Contents of delivery	Size	Width mm	Height mm
077097▲	set	2	110	38
077098▲	set	3	135	46
077099▲	set	4	160	56
141791▲	set	5	200	68

A37

Draw-down jaws SNF, with spring plate, hardened and ground



Item no.	Contents of delivery	Size	Width mm	Height mm
077104▲	set	2	113	31,6
077105▲	set	3	135	39,6
077106▲	set	4	160	49,6
141794▲	set	5	200	64,6

Including fixing screws

A37

Normal jaw SGN, one side smooth, one side grooved, both sides ground



Item no.	Contents of delivery	Size	Width mm	Height mm
152752	piece	1	92	31,6
152753	piece	2	113	31,6
152754	piece	3	135	39,6
152755	piece	4	160	49,6
152756	piece	5	200	64,6

Including fixing screws

Accessories RB-K

A37

Normal jaw finely checkered SGNf, reversible, to increase the specific contact pressure (higher holding forces), one side finely checkered, one side longitudinally grooved

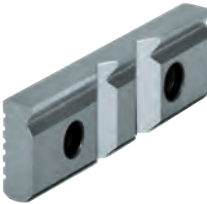


Item no.	Contents of delivery	Size	Width mm	Height mm
163218 ▲	piece	1	92	31,6
156195	piece	2	113	31,6
156196	piece	3	135	39,6
156197	piece	4	160	49,6
156199 ▲	piece	5	200	64,6

Including fixing screws

A37

V-jaw SPR, with vertically and horizontally ground-in prisms, hardened, for combination with SGN



Item no.	Contents of delivery	Size	Width mm	Height mm	Chuck capacity mm	
					Horizontal	Vertical
128770	piece	1	92	31,6	3-13	5-32
082362	piece	2	113	31,6	3-13	5-32
082363	piece	3	135	39,6	4-20	6-40
082364	piece	4	160	49,6	5-29	7-48
129734 ▲	piece	5	200	64,6	6-37	8-56

Including fixing screws

A37

Normal jaw SGNA, with movable workpiece stop, hardened and ground



Item no.	Contents of delivery	Size	Width mm	Height mm
150739 ▲	piece	2	113	31,6
150740 ▲	piece	3	135	39,6
150741 ▲	piece	4	160	49,6

Including fixing screws

A37

Floating jaw horizontal PEB, for clamping non-parallel workpieces



Item no.	Contents of delivery	Size	Width mm	Height mm	Thickness mm
156190 ▲	piece	2	113	32	36
156191	piece	3	135	40	40
156192 ▲	piece	4	160	50	45

A37

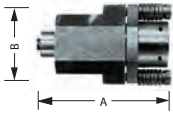
Hand crank, turnable handle, hexagon socket



Item no.	Contents of delivery	Size	Hexagon	A	L
134593	piece	1/2	12	48	80
134198	piece	3	12	60	90
134499	piece	4	12	117	90
134600	piece	5	14	104	160

Accessories RB-K

A37
Hydraulic unit HDE



Item no.	Contents of delivery	Size	A	B
094170	piece	1	102	56
226502	piece	2	109	62
226503	piece	3	114	70
226504	piece	4	115	70
226505	piece	5	147	98

A37
Spindle, complete



Item no.	Contents of delivery	Size	L
134185	piece	1	91
134186	piece	2	99
134187	piece	3	116
134188	piece	4	151
134189	piece	5	182

A37
Standard rotation plate DP, with fixing screws and T-slot nuts ground contact edge, graduation



Item no.	Size	External Ø mm	Height	Center Ø	Weight
082441	1/2	242	30	28	7,5
082442	3	280	30	28	11
082443	4	340	34	28	18

A37
Universal rotation plate DP, with fixing screws and T-slot nuts ground contact edge, graduation



Item no.	Size	External Ø mm	Height	Center Ø	Weight
090854 ▲	5	420	40	28	23